

Lever Roll Towel



Product Code: T1100

- Universal
- Easy to change drive module & parts
- Break and chemical resistant

Installation:

Wall mounted

Closure:

With lock

Color:

Black Pearl, Arctic Blue, White

Dimensions:

16.5" (L) x 12.94" (W) x 9" (D)

419 mm (L) x 329 mm (W) x 235 mm (D)

Capacity:

(1) 8" (200 mm) wide roll; 8" (200 mm) diameter and 4" (100 mm) stub roll

Core Diameter:

1.5" (38 mm)

Case Weight:

6.0 lbs. (2.72 kgs)

Materials:

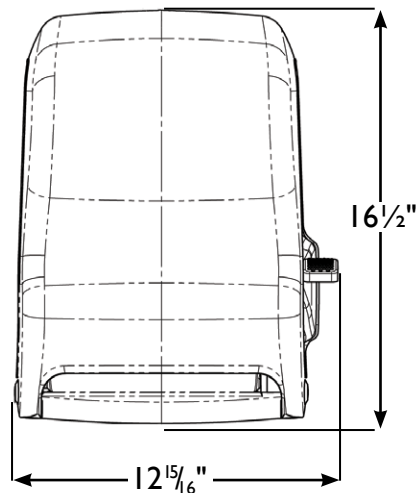
Base: Break resistant plastic

Cover: Break resistant plastic

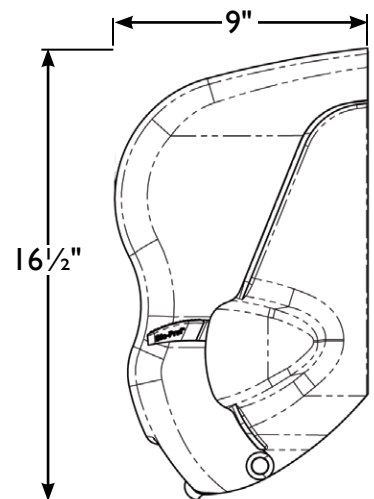
Standard Product Codes:

T1100TBK, T1100TBL, T1100VWH

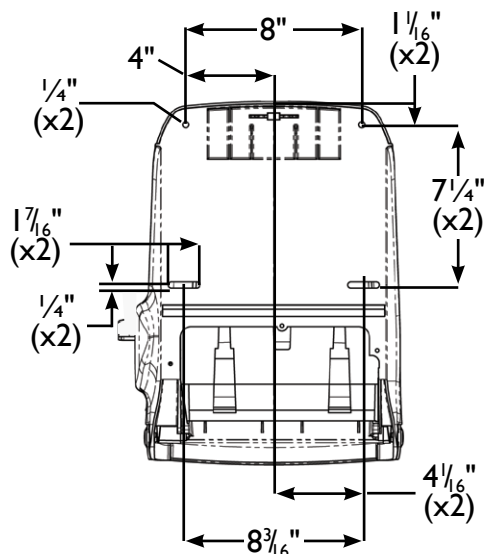
FRONT (inches)



SIDE (inches)



BACK (inches)



San Jamar

555 Koopman Lane
Elkhorn, Wisconsin 53121
USA
T: +1.262.723.6133
F: +1.262.723.4204
info@sanjamar.com
www.sanjamar.com

Canada

3280 Bloor Street West
Suite 1140
11th Floor, Centre Tower
Toronto, ON M8X 2X3
CANADA
T: +1.262.723.6133
F: +1.262.723.4204
canada@sanjamar.com

Europe

Schoorstraat 26a, bus 1
2220 Heist-op-den-Berg
BELGIUM
T: +32 15 22 81 40
F: +32 15 22 81 48
emea@sanjamar.com

México

Av. Paseo de la Reforma No. 350 - 10
Col. Juárez
Deleg. Cuauhtemoc, CP 06600
MEXICO, D.F.
T: +52 (55) 3626 0772
mexico@sanjamar.com

